

## ET1100 Series 24-Hour Electronic Time Switch

The ET1100 24-Hour Electronic Time Switches enable a program to be repeated on a daily basis. These time switches provide dependable and uncomplicated performance, plus to-the-minute programming for accurate load control and reduced energy costs. Up to 28 setpoints or events can be preset to automatically repeat. The program can be disabled at any time by placing the time switch in the Manual operating mode. Control buttons provide manual control of each circuit independently, regardless of the operating mode. All models come with two industrial-grade AAA alkaline batteries to provide time keeping and automatic carryover for a minimum of 3 years. The batteries are easily replaced in the field and do not require removing the time switch mechanism or field wiring. Each time switch is housed in a lockable enclosure to protect against vandalism and unauthorized tampering.

### Features

- Program can be repeated on a daily basis
- Multi-volt operation from 120-277 VAC, 50/60 Hz
- To-the-minute programming for accurate load control and reduced energy costs
- Up to 28 setpoints or events
- Automatic Daylight Saving Time (DST) ON/OFF adjustment (factory enabled)
- Non-volatile EEPROM memory protects programming indefinitely
- 2-circuit models are field (jumper) configurable for:
  - 2 independent outputs, DPST output,
  - or 1 channel ON pulse OFF pulse output
- Temporary override or permanent manual override available via control buttons

### Ratings

Enclosure Options:	Standard: Type 1 Gray Painted Steel R-Option: Type 3R Gray Painted Steel PD82 Option: Type 3R Gray High-Impact UV Resistant Polycarbonate Plastic with Clear Cover
Knockouts:	Combination 1/2" & 3/4" Knockouts Bottom: 2, Left: 1, Right: 1, Back: 1
Input Voltage:	120, 208, 240, or 277 VAC 50/60 HZ
Operating Temperature:	-40°F to 155°F (-40°C to 68°C)

### ET1105, ET1125 Models

N.O. Contact Ratings:	
Resistive:	30 Amps @ 120/240 VAC
Resistive:	20 Amps @ 28 VDC
Inductive:	30 Amps @ 120/240 VAC
Tungsten:	5 Amps @ 120/240 VAC
Ballast:	20 Amps @ 120-277 VAC
Motor:	1 HP @ 120 VAC
Motor:	2 HP @ 240 VAC

Project: \_\_\_\_\_

Location: \_\_\_\_\_

Product Type: \_\_\_\_\_

Contact/Phone: \_\_\_\_\_

Model #: \_\_\_\_\_



ET1105C



ET1115CPD82



ET1125CR

# ET1100 Series



## ET1115 Models

N.O./N.C. Contact Ratings:	Resistive: 20 Amps (N.O.), 10 Amps (N.C.) @ 120/240 VAC Inductive: 20 Amps (N.O.), 10 Amps (N.C.) @ 120/240 VAC Tungsten: 5 Amps (N.O.) @ 120/240 VAC Ballast: 20 Amps (N.O.), 3 Amps (N.C.) @ 120-277 VAC Motor: 1 HP (N.O.); ¼ HP (N.C.) @ 120 VAC Motor: 2 HP (N.O.); ½ HP (N.C.) @ 240 VAC
Pulse Feature:	2-circuit models feature 2 second pulse option for contactor and bell ringing applications
Auto DST:	Automatic adjustment for Daylight Saving Time
Battery Backup:	Two field-replaceable AAA batteries maintain date and accurate time for a minimum of three years. Batteries can be replaced when power to mechanism is activated.
Wiring Terminals:	#18 to #10 AWG wire
Minimum ON/OFF Time:	1 minute
Maximum ON/OFF Time:	23 hours 59 minutes
Warranty:	Limited 1 year

Model Number	Circuits	Switch	Volts AC	Rating	Enclosure	Shipping Weights
ET1105C	1	SPST	120, 208, 240, 277	30 Amps	Type 1 Steel	2.9 lbs. (1.3 kg)
ET1105CPD82	1	SPST	120, 208, 240, 277	30 Amps	Type 3R Plastic	3.6 lbs. (1.6 kg)
ET1105CR	1	SPST	120, 208, 240, 277	30 Amps	Type 3R Steel	3.6 lbs. (1.6 kg)
ET1115C	1	SPDT	120, 208, 240, 277	20/10 Amps	Type 1 Steel	2.9 lbs. (1.3 kg)
ET1115CPD82	1	SPDT	120, 208, 240, 277	20/10 Amps	Type 3R Plastic	3.6 lbs. (1.6 kg)
ET1115CR	1	SPDT	120, 208, 240, 277	20/10 Amps	Type 3R Steel	3.6 lbs. (1.6 kg)
ET1125C*	2	SPST	120, 208, 240, 277	30 Amps	Type 1 Steel	2.9 lbs. (1.3 kg)
ET1125CPD82*	2	SPST	120, 208, 240, 277	30 Amps	Type 3R Plastic	3.6 lbs. (1.6 kg)
ET1125CR*	2	SPST	120, 208, 240, 277	30 Amps	Type 3R Steel	3.6 lbs. (1.6 kg)

\*Can be wired as DPST

## Specification

The time switch shall be of the 24-hour electronic type, capable of permitting up to 28 setpoints or events. The time switch shall provide a minimum ON or OFF time of 1 minute. The time switch to be powered by \_\_\_\_\_ (120)(208)(240) (277) VAC, \_\_\_\_ (50)(60) Hz power supply. The time switch mechanism shall be a snap-in design to provide ease of mechanism removal for mounting the enclosure. The time switch enclosure shall be a \_\_\_\_\_ (Type 1 steel)(Type 3R steel)(Type 3R plastic) lockable enclosure, which shall be painted with an electrostatic process to eliminate the potential for corrosion. The time switch shall provide clear terminal identification on a non-curling terminal insulator. Terminal connections shall be made using teeter-type terminal screws to provide secure connections for wire sizes up to #10 AWG. Switch configuration shall be \_\_\_\_\_ (SPST)(DPST)(SPDT) with a UL or CSA listed switch rating of:

### (If SPST:)

- Resistive: 30 Amps @ 120/240 VAC
- Resistive: 20 Amps @ 28 VDC
- Inductive: 30 Amps @ 120/240 VAC
- Tungsten: 5 Amps @ 120/240 VAC
- Ballast: 20 Amps @ 120-277 VAC
- Motor: 1 HP @ 120 VAC
- Motor: 2 HP @ 240 VAC

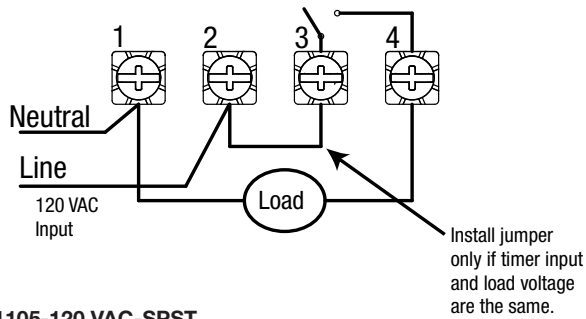
### (If SPDT:)

- Resistive: 20 Amps (N.O.), 10 Amps (N.C.) @ 120/240 VAC
- Inductive: 20 Amps (N.O.), 10 Amps (N.C.) @ 120/240 VAC
- Tungsten: 5 Amps (N.O.) @ 120/240 VAC
- Ballast: 20 Amps (N.O.), 3 Amps (N.C.) @ 120-277 VAC
- Motor: 1 HP (N.O.), ¼ HP (N.C.) @ 120 VAC
- Motor: 2 HP (N.O.), ½ HP (N.C.) @ 240 VAC

The time switch shall be UL or CSA listed under UL category 916 Energy Management Equipment and shall be Intermatic model \_\_\_\_\_(See Model Numbers Listed).

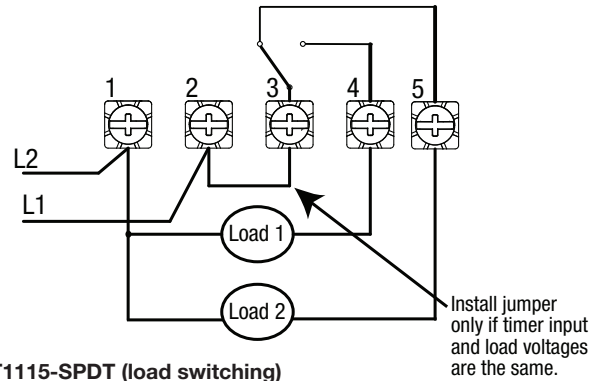
## Diagrams

### Timer Power



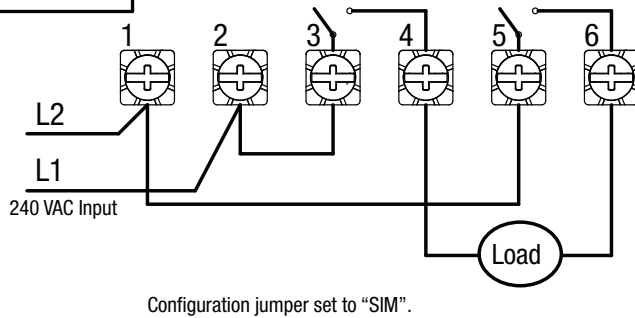
ET1105-120 VAC-SPST

### Timer Power



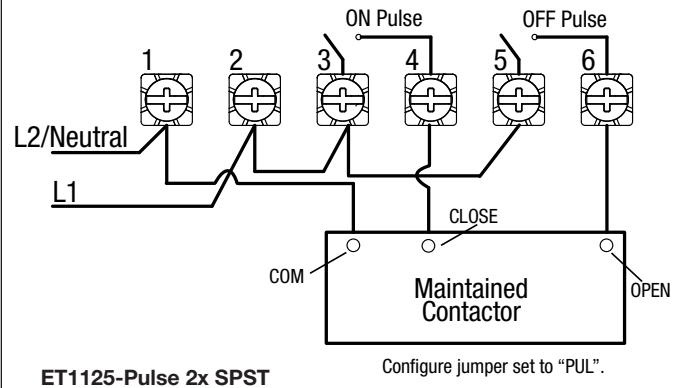
ET1115-SPDT (load switching)

### Timer Power



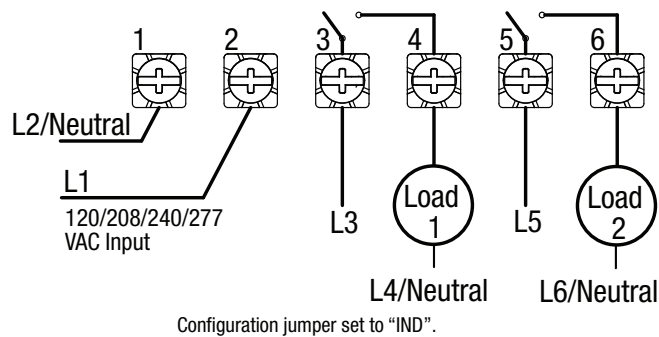
ET1125-240 VAC-DPST

### Timer Power



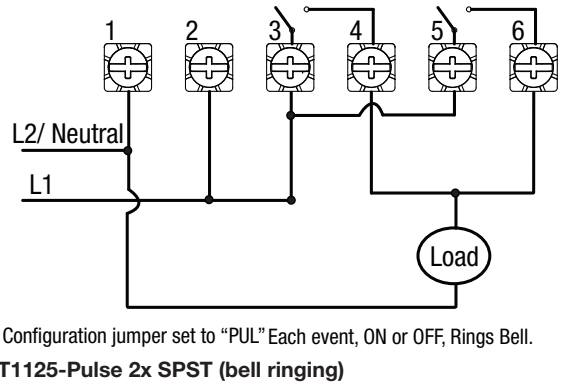
ET1125-Pulse 2x SPST

### Timer Power



ET1125-2x SPST

### Timer Power



ET1125-Pulse 2x SPST (bell ringing)